

## FA500 Series

High performance panel instruments  
 uP based electronics, high performance  
 delta-sigma A /D with 65,000 counts resolution for  
 unparalleled accuracy and linearity, input range optimized per customer requirement

### Functional Choices

- **FA510 - Process:** DC volts, amps, or 4 to 20 mA; dual scale factors; peak and valley displays
- **FA520 - Ohmmeter:** user specified resistance range
- **FA530 - Process:** 24 VDC excitation or **Straingauge:** 10VDC excitation (specify signal, ie. 30mV or 4-20mA)
- **FA540 - TRMS AC:** volts or amps
- **FA550 - Integrating DC input:** 4 to 20 mA input, scalable rate plus bi-directional totalizing function. Display: charge in Amp-hours, flow rate in total gallons, plating thickness in Amp-minutes, etc.
- **FA560 - Non-linear DC input:** square root function for differential pressure to flowrate, and cosine function for phase angle to power factor conversion
- **FA570 - Thermocouple:** specify type B, E, J, K, R, S, or T; linearized to full T/C range
- **FA580 - RTD:** 100 Ohm platinum, 0.01 degree resolution C or F
- **FA590 - High speed DC input:** user selectable 10.8 to 104.4 updates per second

### General Specifications

#### Base meter

- **Display** - 1" tall 6-digit tri-color LED
- **Bezel** - stainless steel
- **Display window** - non-glare glass with silicone seal
- **Sealing** - NEMA 4X gasketing standard
- **Controls** - setup menu is accessed via switches located on rear of meter
- **Connections** - socketed screw terminal connectors for signal, power, and control inputs
- **Viewing distance** - up to 50 feet
- **Operating temperature** - -55°C To +85°C

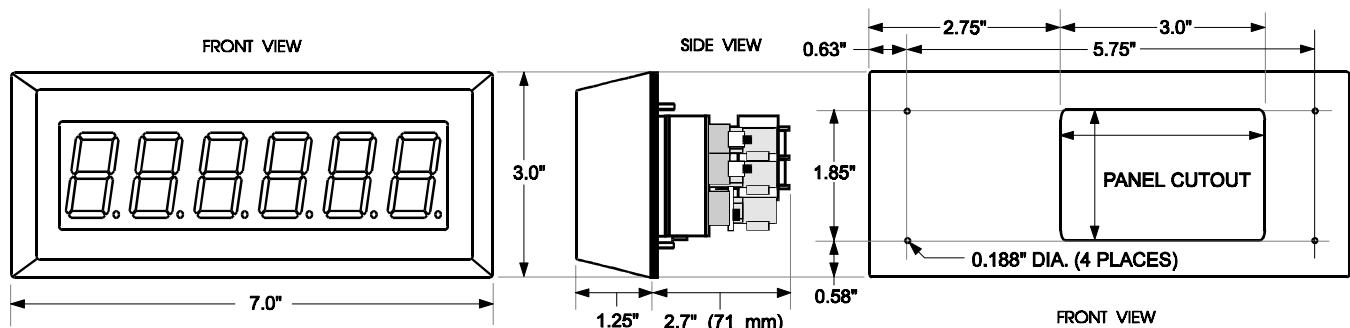
#### Outputs

- **Serial ASCII** - RS232, RS422/485, current loop
- **Parallel BCD** - 5 word / bit modes
- **Analog** - 4 To 20 mA, 1-5 V
- **Relay** - up to 4 setpoints, 200V @ 1A relay outputs require 1 F000-920 master setpoint module and up to 3 F000-924 slave setpoint modules

#### Power supplies

- **120 VAC** - 50 / 60 Hz, 20 mA maximum
- **220 VAC** - 50 / 60 Hz, 10 mA maximum
- **12 to 30 VDC** - 50 mA maximum

### FA500 Series Mechanical Specifications



# FA500 Series

# 1" 6-Digit Tri-Color

(Voltage, Current, Resistance, Temperature)

Model numbers consist of two prefix letters, a family number, a function number, a power supply number, and a three digit I/O configuration number. Family number 5 indicates base analog meter, family number 6 indicates the addition of the setpoint interface.

## BASE METER OPTIONS



FA[51] - DC process.....	\$638	FA[61] - DC process.....	\$673
FA[52] - Ohmmeter.....	\$663	FA[62] - Ohmmeter.....	\$691
FA[53] - Straingauge.....	\$663	FA[63] - Straingauge.....	\$691
FA[54] - TRMS AC.....	\$653	FA[64] - TRMS AC.....	\$688
FA[55] - Integrating DC input.....	\$658	FA[65] - Integrating DC input.....	\$688
FA[56] - Non-linear DC input.....	\$658	FA[66] - Non-Linear DC input.....	\$688
FA[57] - Thermocouple.....	\$663	FA[67] - Thermocouple.....	\$698
FA[58] - RTD.....	\$653	FA[68] - RTD.....	\$688
FA[59] - High speed DC input.....	\$698	FA[69] - High speed DC input.....	\$733

## POWER SUPPLY OPTIONS



[1] - 120 VAC 50 / 60 Hz.....	\$0
[3] - 240 VAC 50 / 60 Hz.....	\$25
[4] - 24VDC linear with heatsink.....	\$20
[7] - 12 VDC to 30 VDC.....	\$37
[8] - 120 VAC with battery backed data.....	\$42
[9] - 12 to 30 VDC with battery backed data....	\$79

## INPUT / OUTPUT OPTIONS



[651] - RS232C serial ASCII data.....	\$29
[652] - RS422 serial ASCII data.....	\$20
[653] - RS485 4-wire serial ASCII data.....	\$40
[655] - Isolated current loop ASCII data.....	\$60
[657] - RS232C and RS232C auxillary.....	\$149
[658] - RS232C and RS422 auxillary.....	\$140
[659] - No data inputs / no outputs.....	\$0
[661] - RS232C and 4 to 20 mA analog out.....	\$194
[662] - RS422 and 4 to 20 mA analog out.....	\$185
[665] - C/L and 4 to 20 mA analog out.....	\$225
[671] - RS232C and parallel data out.....	\$116
[672] - RS422 and parallel data out.....	\$107
[675] - C/L and parallel data out.....	\$147
[681] - RS232C and parallel data in.....	\$116
[682] - RS422 and parallel data in.....	\$107
[685] - C/L and parallel data in.....	\$147
[691] - Isolated 4 to 20 mA output.....	\$165
[692] - Parallel data outputs sinking.....	\$87
[693] - Parallel data inputs sinking.....	\$87
[694] - Parallel data outputs sourcing.....	\$87
[695] - Parallel data inputs sourcing.....	\$87