



FOX METER, INC

INSTRUMENTATION FOR INDUSTRY

FC100 Series

Lower cost 4-digit microprocessor based meter with high performance delta-sigma A/D with 65,000 counts resolution, available with 5 convenient front panel controls or NEMA 4X sealing

Functional Choices

- **FC100:** front panel controls, no setpoint relays
- **FC110:** front panel controls, two setpoint relays
- **FC120:** NEMA 4X (no front panel controls), no setpoint relays
- **FC130:** front panel controls, no setpoint relays, isolated 24VDC excitation
- **FC140:** NEMA 4X (no front panel controls), two setpoint relays
- **FC150:** front panel controls, two setpoint relays, isolated 24VDC excitation
- **FC160:** NEMA 4X (no front panel controls), two setpoint relays, isolated 24VDC excitation
- **FC170:** NEMA 4X (no front panel controls), no setpoint relays, isolated 24VDC excitation

General Specifications

Base meter

- **Size** - fits 1/8 DIN cutouts
- **Display** - bright .6" tall, high efficiency LED
- **Bezel** - black high impact ABS plastic, UL-VO94
- **Display window** - red non-glare cast acrylic
- **Sealing** - NEMA 4X gasketing available
- **Controls** - setpoint, peak, valley, tare, and setup menu accessible via front panel push buttons; NEMA 4X models require FC000-940 remote programmer module
- **Connections** - socketed screw terminal connectors
- **Accuracy** - better than 0.05% F.S. over specified operating temperature range

Outputs

- **Relay** - up to 2 setpoints, 200V @ 1A relay outputs, independently programmable N/C or N/O

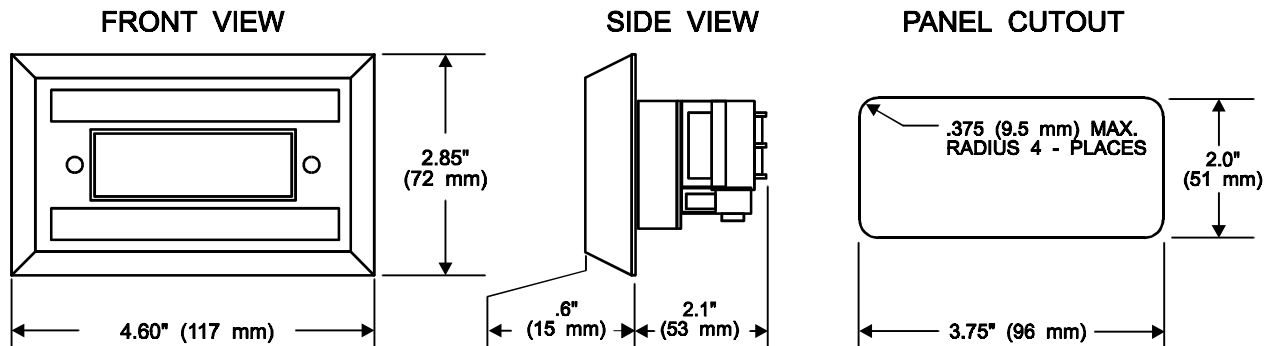
Power supplies

- **120 VAC** - 50 / 60 Hz, 20 mA maximum
- **220 VAC** - 50 / 60 Hz, 10 mA maximum
- **5.1 to 12 VDC** - isolated, 100 mA maximum
- **5.1 to 12 VDC** - 100 mA maximum
- **10 to 30 VDC** - 50 mA maximum
- **10 to 30 VDC** - isolated, 50 mA maximum

Accessories

- **FC000-940** - remote programmer module..... \$87

FC100 Series Mechanical Specifications



FC100 Series

0.6" 4-Digit 1/8 DIN

(Voltage, Current, Resistance, Temperature)

Model numbers consist of a three character family number (FC1), an option number, a power supply number, and a three digit input configuration number.

BASE METER OPTIONS



FC1[0] -no options.....	\$173
FC1[1] -two relays.....	\$221
FC1[2] -NEMA 4X, no relays.....	\$167
FC1[3] -excitation.....	\$204
FC1[4] -NEMA 4X, two relays.....	\$215
FC1[5] -two relays, excitation.....	\$252
FC1[6] -NEMA 4X, two relays, excitation.....	\$246
FC1[7] -NEMA 4X, excitation.....	\$198

POWER SUPPLY OPTIONS



[1] - 120 VAC 50 / 60 Hz.....	\$24
[3] - 240 VAC 50 / 60 Hz.....	\$36
[5] - 5.1 to 12VDC.....	\$24
[6] - 5.1 to 12VDC isolated.....	\$66
[7] - 10 to 30VDC.....	\$54
[8] - 10 to 30VDC isolated.....	\$80

SIGNAL INPUT OPTIONS



[100] - Process, 4-20mA.....	\$0	[620] - DC Voltmeter, 2 VDC.....	\$0
[110] - Process, 1-5VDC.....	\$0	[630] - DC Voltmeter, 20 VDC.....	\$0
[120] - Process, 0-10VDC.....	\$0	[640] - DC Voltmeter, 200 VDC.....	\$0
		[650] - DC Voltmeter, 600 VDC.....	\$0
[200] - Thermometer, 100 Ohm RTD.....	\$37		
		[700] - DC Ammeter, 50uA Internal Shunt.....	\$0
[300] - Resistance, 20 Ohm.....	\$37	[710] - DC Ammeter, 200mA Internal Shunt.....	\$0
[310] - Resistance, 200 Ohm.....	\$37	[720] - DC Ammeter, 2A External Shunt.....	\$42
[320] - Resistance, 2K Ohm.....	\$37	[730] - DC Ammeter, 20A External Shunt.....	\$42
[330] - Resistance, 20K Ohm.....	\$37	[740] - DC Ammeter, 200A External Shunt.....	\$42
[400] - Straingauge, 30mV w/10VDC Excitation.....	\$31	[810] - AC Voltmeter, 200mVAC.....	\$18
		[820] - AC Voltmeter, 2VAC.....	\$18
[500] - Thermometer, Type J T/C.....	\$18	[830] - AC Voltmeter, 20VAC.....	\$18
[510] - Thermometer, Type K T/C.....	\$18	[840] - AC Voltmeter, 200VAC.....	\$18
[520] - Thermometer, Type R T/C.....	\$18	[850] - AC Voltmeter, 600VAC.....	\$18
[530] - Thermometer, Type S T/C.....	\$18		
[540] - Thermometer, Type T T/C.....	\$18	[910] - AC Ammeter, 200mA.....	\$70
[550] - Thermometer, Type E T/C.....	\$18	[920] - AC Ammeter, 2A.....	\$70
		[925] - AC Ammeter, 5A.....	\$70
[610] - DC Voltmeter, 200mVDC.....	\$0	[930] - AC Ammeter, 20A.....	\$70
		[940] - AC Ammeter, 200A.....	\$97