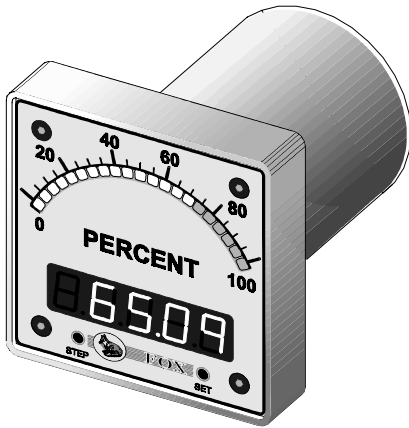


FOX METER, INC

INSTRUMENTATION FOR INDUSTRY



FS100 Series

4-digit display with 21-element bargraph
 uP based electronics, price includes customer
 specified front legends and scales, bargraph
 menu selectable dot or filled and left or center zero

Functional Choices

- FS110 - Front panel controls, two setpoint relays
- FS120 - Front panel controls, no options
- FS130 - Front panel controls, excitation
- FS150 - Front panel controls, two setpoint relays, excitation

General Specifications

Base meter

- **Display** - 0.4" tall 4-digit with 21-element bargraph
- **Bezel** - steel with black epoxy enamel paint
- **Display range** - -1999 to 9999
- **Controls** - setup menu is accessed via two front panel switches
- **Connections** - socketed screw terminal connectors
- **Temperature drift** - less than 0.02% over 20°C change in ambient temperature
- **Linearity** - better than 0.01% typical
- **Operating temperature** - -25°C to +80°C
- **Storage temperature** - -40°C to +85°C

Outputs

- **Relay** - Optional, two setpoints, 200VAC/DC @ 1A each, independently programmable N.C. or N.O.

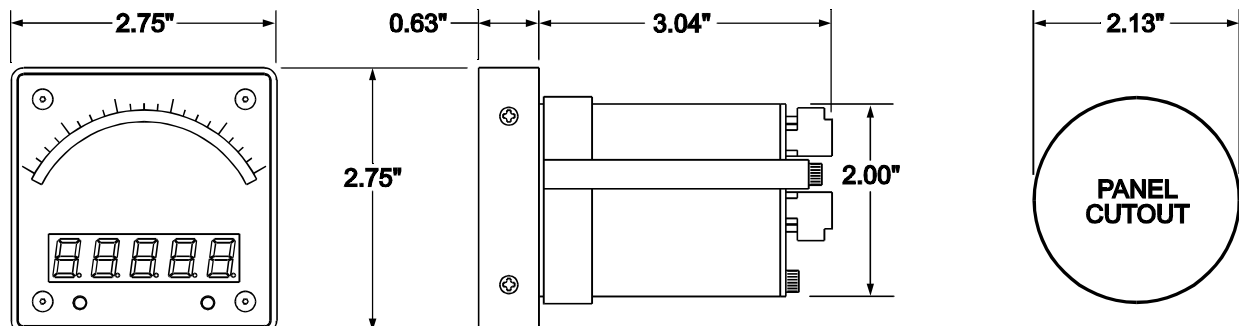
Power supplies

- **120 VAC** - 50 / 60 Hz, less than 3 VA typ.
- **220 VAC** - 50 / 60 Hz, less than 3 VA typ.
- **5.1 to 12VDC** - less than 200 mA
- **5.1 to 12VDC isolated** - less than 200 mA
- **10 to 30VDC** - less than 150 mA
- **10 to 30VDC isolated** - less than 150 mA

NEMA 4X Option

- **Seals unit from front when mounted to a panel**
\$20

FS100 Series Mechanical Specifications



FS100 Series

Square Face Bargraph

(Voltage, Current, Process, Resistance)

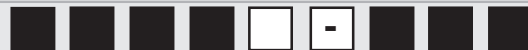
Model numbers consist of a three character family number (FS1), a one digit base meter option number, a one digit power supply number, and a three digit signal input option number.

BASE METER OPTIONS



FS1[1] - two setpoint relays.....	\$432
FS1[2] - no options.....	\$353
FS1[3] - excitation.....	\$408
FS1[5] - excitation, two setpoint relays.....	\$491

POWER SUPPLY OPTIONS



[1] - 120 VAC 50 / 60 Hz.....	\$24
[3] - 240 VAC 50 / 60 Hz.....	\$36
[5] - 5.1 to 12VDC.....	\$24
[6] - 5.1 to 12VDC isolated.....	\$66
[7] - 10 to 30VDC.....	\$54
[8] - 10 to 30VDC isolated.....	\$96

SIGNAL INPUT OPTIONS



[100] - Process, 4-20mA.....	\$17	[610] - DC Voltmeter, 200mVDC.....	\$0
[110] - Process, 1-5VDC.....	\$17	[620] - DC Voltmeter, 2 VDC.....	\$0
[120] - Process, 0-10VDC.....	\$17	[630] - DC Voltmeter, 20 VDC.....	\$0
		[640] - DC Voltmeter, 200 VDC.....	\$0
[200] - Thermometer, 100 Ohm RTD.....	\$77	[650] - DC Voltmeter, 600 VDC.....	\$0
[300] - Resistance, 20 Ohm.....	\$77	[700] - DC Ammeter, 50uA Internal Shunt.....	\$29
[310] - Resistance, 200 Ohm.....	\$77	[710] - DC Ammeter, 200mA Internal Shunt.....	\$29
[320] - Resistance, 2K Ohm.....	\$77	[720] - DC Ammeter, 2A External Shunt.....	\$53
[330] - Resistance, 20K Ohm.....	\$77	[730] - DC Ammeter, 20A External Shunt.....	\$53
		[740] - DC Ammeter, 200A External Shunt.....	\$53
[400] - Strain gauge, 30mV w/10VDC Excitation.....	\$77	[810] - AC Voltmeter, 200mVAC.....	\$18
[500] - Thermometer, Type J T/C.....	\$18	[820] - AC Voltmeter, 2VAC.....	\$18
[510] - Thermometer, Type K T/C.....	\$18	[830] - AC Voltmeter, 20VAC.....	\$18
[540] - Thermometer, Type T T/C.....	\$18	[840] - AC Voltmeter, 200VAC.....	\$18
		[850] - AC Voltmeter, 600VAC.....	\$18
		[910] - AC Ammeter, 200mA.....	\$70
		[920] - AC Ammeter, 2A.....	\$70
		[930] - AC Ammeter, 20A.....	\$70
		[940] - AC Ammeter, 200A.....	\$97