

# FOX METER, INC

INSTRUMENTATION FOR INDUSTRY

## FT100 Series

4 to 20 mA Loop Powered  
Microprocessor Based  
6-Digit LCD Meter

### Functional Choices

- **FT100 - Process:** 4 to 20 mA loop powered

### General Specifications

#### Base meter

- **Loop drop** - 3.9 volts max., short circuit protected
- **Display** - 0.5" 6-digit, enhanced contrast, extended temperature range, high humidity sealed LCD
- **Bezel** - black high impact ABS plastic, UL-VO94
- **Controls** - setup and calibration menus are accessed via two rear panel switches
- **Connections** - socketed screw terminal connector
- **Accuracy** - better than  $\pm 0.05\%$
- **A/D converter** - 24-bit: 1,000,000 counts of resolution
- **Conversion rate** - 7.5 per second
- **Operating temperature range** -  $-30^{\circ}\text{C}$  to  $+80^{\circ}\text{C}$

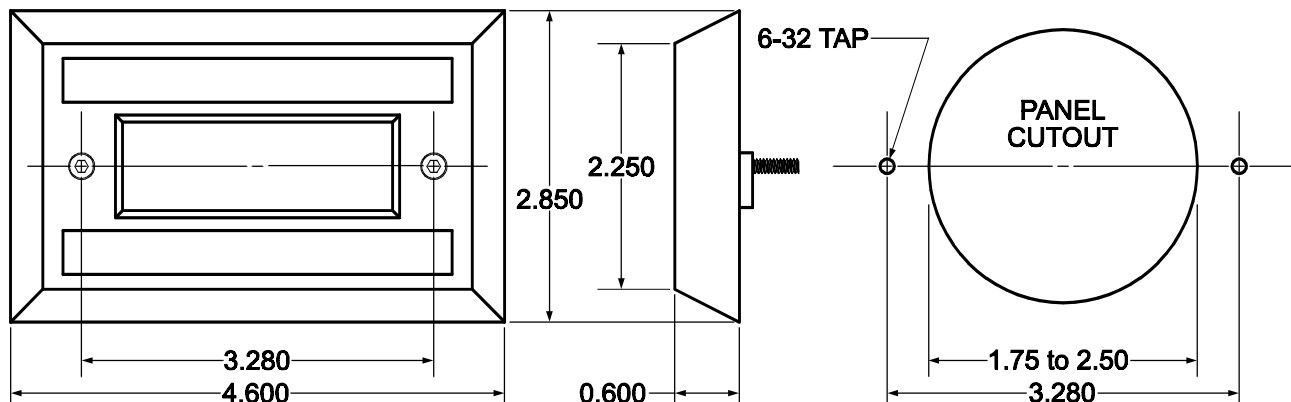
#### Display scaling

- **No pots to adjust** - apply 4mA, enter display value at 4mA (-99999 to 999999) then apply 20mA and enter display value at 20mA. Meter will calculate and apply display offset and scaling.

#### Outputs

- **Relay** - optional two setpoints, 400 VAC/DC @ 60mA, independently programmable N/C or N/O
- **Setpoint setup** - menu is accessed via two rear panel switches

### FT100 Series Mechanical Specifications



# FT100 Series

# Loop Powered LCD

(4 to 20 mA)

Model numbers consist of two prefix letters (FT), a family number(1), a function number, a power supply number and a three digit signal input configuration number.

## BASE METER OPTION



FT[10] - 6-digit LCD..... \$198

FT[12] - 6-digit LCD with two relays.....\$275

## POWER SUPPLY OPTIONS



[0] - 4 to 20 mA loop powered..... \$0

## SIGNAL INPUT OPTIONS



[101] 4 to 20 mA.....\$0